



## Core Drill Series HSS-Standard

The basic core drill assortment for professional applications. Fully ground core drills made of high-speed steel on CNC-controlled grinding centres, with good chip flow, drilling with little effort. For horizontal work, Lenz recommends the high-performance lubrication spray Lenz 5200.

### CORE DRILLS

### PAGE

HSS-Standard Core drills short	55
HSS-Standard Core drills long	56
HSS-Standard Core drills extra long	57
HSS-Standard Core drills short, inch	57

# HSS-Standard

Fully ground core drills made of high-speed steel.

## HSS-Standard Core drills long

- > 55 mm cutting depth
- > 19 mm Weldon shank ( $\frac{3}{4}$ "



### HSS-STANDARD SERIES

Ø mm	ORDER NO.	Ø mm	ORDER NO.
12	LZHM 012	36	LZHM 036
13	LZHM 013	37	LZHM 037
14	LZHM 014	38	LZHM 038
15	LZHM 015	39	LZHM 039
16	LZHM 016	40	LZHM 040
17	LZHM 017	41	LZHM 041
17.5	LZHM 175	42	LZHM 042
18	LZHM 018	43	LZHM 043
19	LZHM 019	44	LZHM 044
19.5	LZHM 195	45	LZHM 045
20	LZHM 020	46	LZHM 046
21	LZHM 021	47	LZHM 047
22	LZHM 022	48	LZHM 048
23	LZHM 023	49	LZHM 049
24	LZHM 024	50	LZHM 050
25	LZHM 025	51	LZHM 051
26	LZHM 026	52	LZHM 052
27	LZHM 027	53	LZHM 053
28	LZHM 028	54	LZHM 054
29	LZHM 029	55	LZHM 055
30	LZHM 030	56	LZHM 056
31	LZHM 031	57	LZHM 057
32	LZHM 032	58	LZHM 058
33	LZHM 033	59	LZHM 059
34	LZHM 034	60	LZHM 060
35	LZHM 035		

EJECTOR PIN FOR LZHM, Ø 12 - 60  
mm ORDER NO.

LZEP 610

**LENZ**  
AUSTRIA

## Standard Core drills long

- > 55 mm cutting depth
- > 32 mm Weldon shank  
(1  $\frac{1}{4}$ "

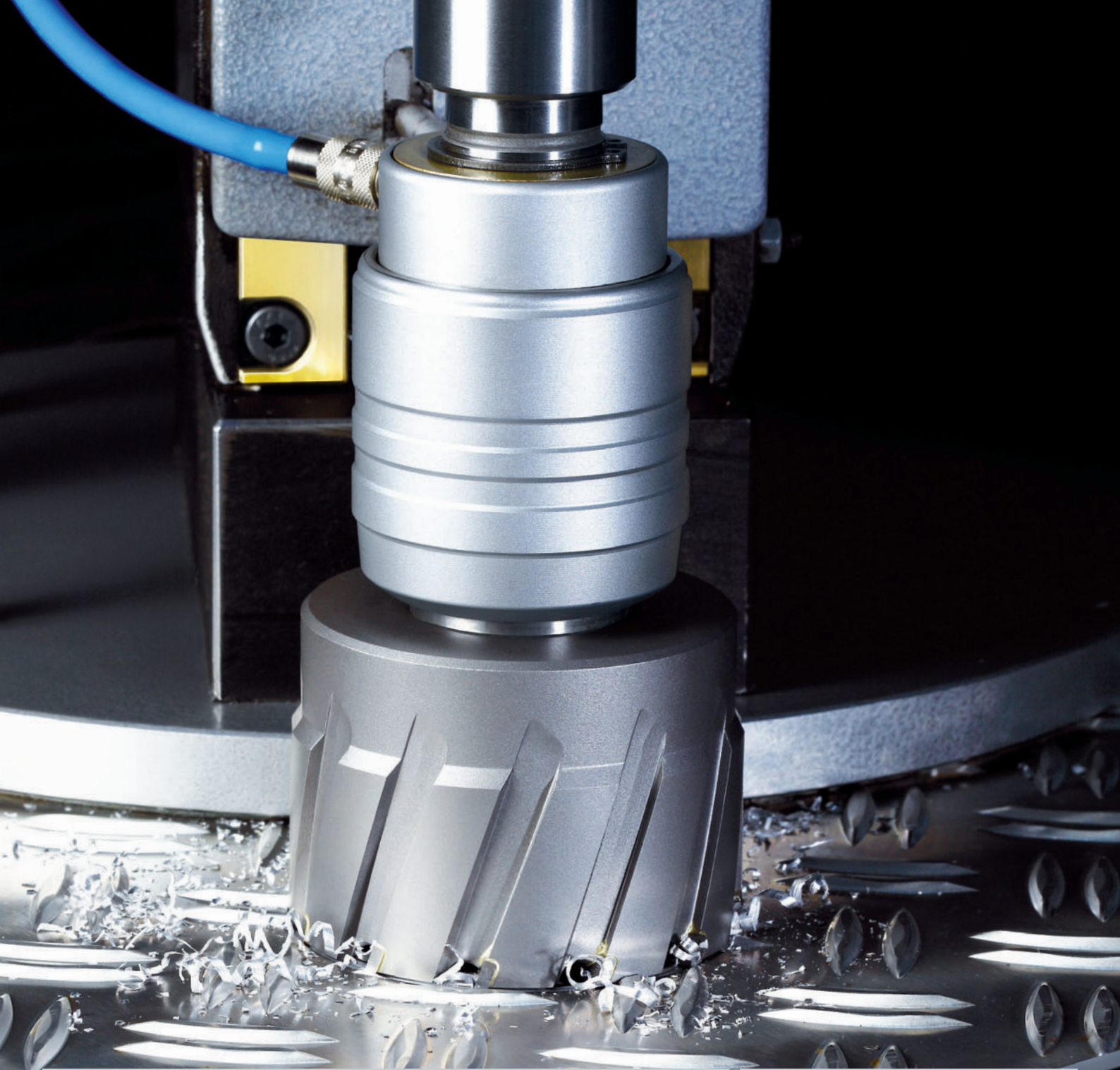


### HSS-STANDARD SERIES

Ø mm	ORDER NO.	Ø mm	ORDER NO.
61	LZHM 061	81	LZHM 081
62	LZHM 062	82	LZHM 082
63	LZHM 063	83	LZHM 083
64	LZHM 064	84	LZHM 084
65	LZHM 065	85	LZHM 085
66	LZHM 066	86	LZHM 086
67	LZHM 067	87	LZHM 087
68	LZHM 068	88	LZHM 088
69	LZHM 069	89	LZHM 089
70	LZHM 070	90	LZHM 090
71	LZHM 071	91	LZHM 091
72	LZHM 072	92	LZHM 092
73	LZHM 073	93	LZHM 093
74	LZHM 074	94	LZHM 094
75	LZHM 075	95	LZHM 095
76	LZHM 076	96	LZHM 096
77	LZHM 077	97	LZHM 097
78	LZHM 078	98	LZHM 098
79	LZHM 079	99	LZHM 099
80	LZHM 080	100	LZHM 100

EJECTOR PIN FOR LZHM, Ø 61 - 100  
mm ORDER NO.

LZEP 710



## Core Drill Series Carbide

Carbide-tipped Lenz core drills. Series with cutting depths of 30 mm, 35 mm, 55 mm, 75 mm and 110 mm and almost gapless range of diameters from 14 mm to 150 mm.

For the processing of stainless steel and non-ferrous metals, Lenz recommends the high-performance cooling lubricant concentrate Lenz 6000.

CORE DRILLS	PAGE
Carbide core drills short	59
Carbide core drills long	60
Carbide core drills overlong	61
Carbide core drills extra long	61
Carbide PLUS Core drills short	62
Carbide RAIL Core drills	62
HSS-Co 8 F Core drills (Quick-in holder)	63
Carbide core drills F (Quick-in holder)	63

# Carbide

Carbide-tipped core drills.

**LENZ**  
AUSTRIA

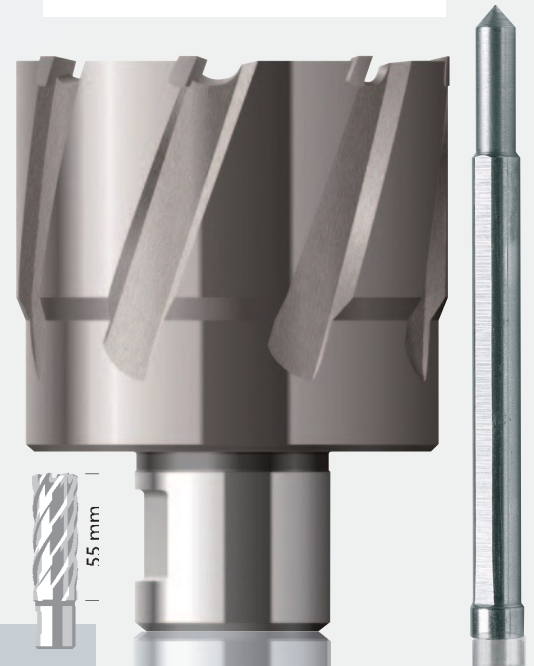
## Carbide core drills long

- > 55 mm cutting depth
- > 19 mm Weldon shank ( $\frac{3}{4}$ "



## Carbide core drills lang

- > 55 mm Cutting depth
- > 32 mm Weldon shank ( $1 \frac{1}{4}$ "



### CARBIDE SERIES

Ø mm	ORDER NO.
14	LZTM 014
15	LZTM 015
16	LZTM 016
17	LZTM 017
18	LZTM 018
19	LZTM 019
20	LZTM 020
21	LZTM 021
22	LZTM 022
23	LZTM 023
24	LZTM 024
25	LZTM 025
26	LZTM 026
27	LZTM 027
28	LZTM 028
29	LZTM 029
30	LZTM 030
31	LZTM 031
32	LZTM 032
33	LZTM 033
34	LZTM 034
35	LZTM 035
36	LZTM 036
37	LZTM 037

Ø mm	ORDER NO.
38	LZTM 038
39	LZTM 039
40	LZTM 040
41	LZTM 041
42	LZTM 042
43	LZTM 043
44	LZTM 044
45	LZTM 045
46	LZTM 046
47	LZTM 047
48	LZTM 048
49	LZTM 049
50	LZTM 050
51	LZTM 051
52	LZTM 052
53	LZTM 053
54	LZTM 054
55	LZTM 055
56	LZTM 056
57	LZTM 057
58	LZTM 058
59	LZTM 059
60	LZTM 060

### CARBIDE SERIES

Ø mm	ORDER NO.
61	LZTM 061
62	LZTM 062
63	LZTM 063
64	LZTM 064
65	LZTM 065
66	LZTM 066
67	LZTM 067
68	LZTM 068
69	LZTM 069
70	LZTM 070
71	LZTM 071
72	LZTM 072
73	LZTM 073
74	LZTM 074
75	LZTM 075
76	LZTM 076
77	LZTM 077
78	LZTM 078
79	LZTM 079
80	LZTM 080

Ø mm	ORDER NO.
81	LZTM 081
82	LZTM 082
83	LZTM 083
84	LZTM 084
85	LZTM 085
86	LZTM 086
87	LZTM 087
88	LZTM 088
89	LZTM 089
90	LZTM 090
91	LZTM 091
92	LZTM 092
93	LZTM 093
94	LZTM 094
95	LZTM 095
96	LZTM 096
97	LZTM 097
98	LZTM 098
99	LZTM 099
100	LZTM 100

EJECTOR PIN FOR LZTM Ø 14 - 60  
mm ORDER NO.

LZEP 610

EJECTOR PIN FOR LZTM Ø 61 - 100  
mm ORDER NO.

LZEP 710